

## revoX

### Powerful and reliable for excellent performance

Thanks to its high frequency, peak power, and cutting-edge cooling system, the **Revo X** is our **highest-performing welder**, designed for **demanding production cycles**. The series includes the **Revo X+** model, which allows for **higher frequencies** and enables faster, more challenging welding operations, and the **Revo X<sup>2</sup>**, which, with a **pulse power** of up to **280J**, is ideal for **high-intensity applications**.



#### MAXIMUM PRODUCTIVITY

Improved working cycle for **+15 hours of continuous welding**.



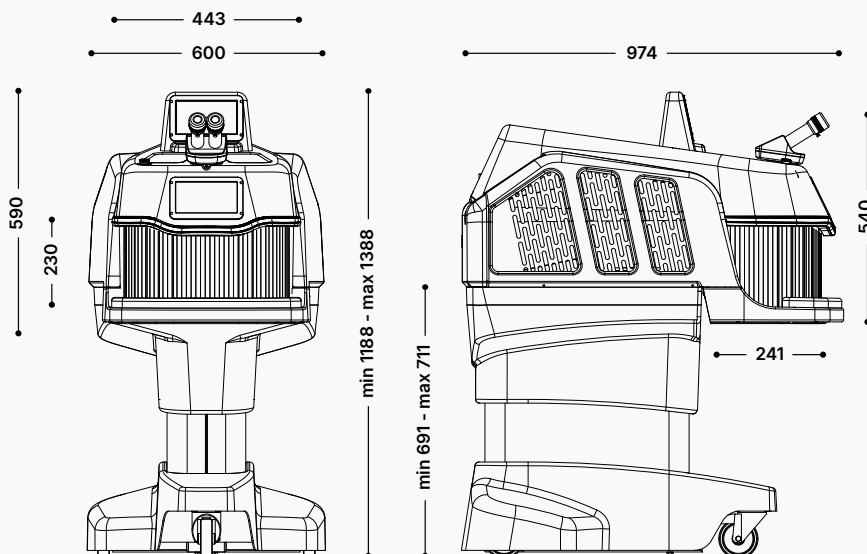
#### HIGH PERFORMANCE

It easily welds on continuous working cycle even demanding **metals such as silver and platinum**.



#### THREE MODELS AVAILABLE

Engineered with **distinct electronic and optical configurations** to cater to diverse precision and productivity needs.



\*dimensions in mm

**Discover all our machines, stay connected!**



[f](#) [v](#) [@](#) [in](#)

REQUEST A QUOTE

[sales@orotig.com](mailto:sales@orotig.com)

more information on [orotig.com](http://orotig.com)

# FEATURES



MADE IN ITALY

## Leica microscope

Leica 45° stereo microscope with 10x optical zoom and right-eye crosshair.

## IUVAPS™ Sanitizing system

Constant sanitisation of the environment thanks to the IUVAPS™ system, which eliminates dust and pathogens.

## Welding chamber with removable bottom

Welding chamber with wide access and possibility of removing the bottom for easy welding even on large workpieces.

## Height-adjustable motorized stand

Height-adjustable wheeled motorized stand, engineered to improve operator ergonomics and facilitate effortless mobility.



## Intuitive interface

7" color display with an intuitive interface and preset parameters, with the possibility to view and record jobs and dynamically set work schedules.

## Improved performance

Water cooling system with 8 l tank and double radiator that allow the machine to operate on a continuous cycle.

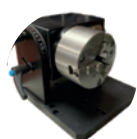
## Connectivity and Wi-Fi

Telemetry for easy assistance and remote updates.

# TECHNICAL DATA

	Revo X	Revo X <sup>+</sup>	Revo X <sup>2</sup>
CRYSTAL TYPE	Nd:YAG @ 1064	Nd:YAG @ 1064	Nd:YAG @ 1064 [x 2]
PULSE POWER	240 J	240 J	280 J
PULSE DURATION	25 ms	25 ms	25 ms
PEAK PULSE POWER	10.0 kW	10.0 kW	12.0 kW
AVERAGE POWER	90 W	120 W	150 W
PULSE FREQUENCY	0 - 40 Hz	0 - 40 Hz	0 - 40 Hz
ELECTRICAL	230 VAC ± 10%, 1P + N + PE, 50/60 Hz, 2.2 kW (X and X <sup>+</sup> ) / 3.6 kW (X <sup>2</sup> )		
FOCAL DIAMETER	0.1 to 2 mm	0.1 to 2 mm	0.2 to 2 mm
COMMAND ACCESS	External with 7" capacitive touch screen display, internal with rotary switch		
COOLING SYSTEM	Forced air with double circuit, 8 l liquid and double radiator		
WEIGHT	65 kg	75 kg	75 kg

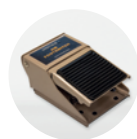
# ACCESSORIES



ROTARY & DEVICE (Ø 80 mm)



HANDRAIL HATCH



PNEUMATIC FOOTSWITCH



SMART FOOTSWITCH  
★ PATENTED SYSTEM



DYNASCOPE HEAD



INTERNAL WRIST REST



ADJUSTABLE MICROSCOPE STAND (5° - 25°)



WELDER PROTECTIVE COVER